

HFS-890

PRODUCT INFORMATION RF Test Probe

Grid:
 ≥ 5.5-7.5 mm
 ≥ 220-300 mil
Installation height: 7.5 to 12.2 mm

INGUN Prüfmittelbau GmbH
 Max-Stromeyer-Straße 162
 78467 Constance | Germany
 Tel. +49 7531 8105-0
 www.ingun.com

HFS-890 for SMA, FAKRA, U.FL, MM8030

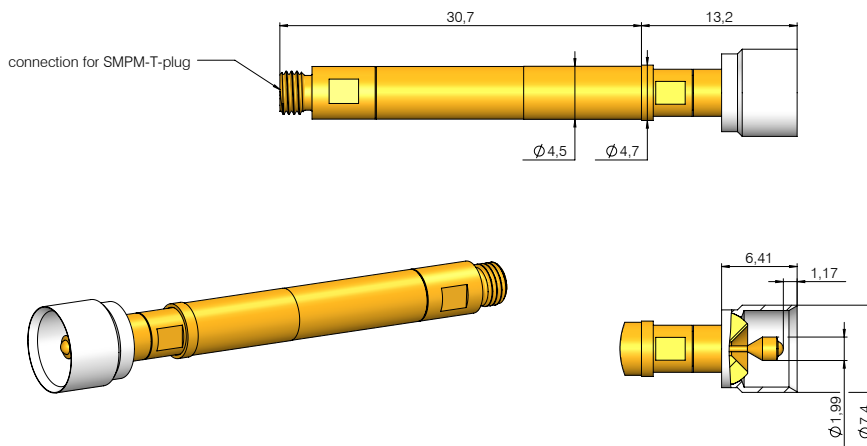
Features

- Consistent, reliable RF signal and data transmission
- High performance SMPM connector as interface to test system
- Long life expectancy due to low-wear internal structural

Function / Assembly

- Minimal mounting distance
- SMPM connector as interface to test system, suitable for cable assemblies with SMPM (press-in) and SMPM-T (screw-in) interface
- Installed using a standard receptacle or a receptacle with two-bore flange

Function / installation



Mechanical data

Working stroke:	
Outer conductor	4.0 mm
Inner conductor	0.5 mm
Maximum stroke:	
Outer conductor	5.0 mm
Inner conductor	0.5 mm
Spring force:	
Outer conductor	8.0 N
Inner conductor	1.3 N

Electrical data

Frequency:	
- SMA:	up to 15 GHz (RL -20 dB) up to 20 GHz (RL -15 dB)
- FAKRA:	up to 6 GHz (RL -20 dB)
- U.FL:	up to 12 GHz (RL -20 dB)
- MM8030:	up to 11 GHz (RL -20 dB)
Impedance: 50 Ohm	

Mounting hole size

KS-810:	4.98 mm
KS-810 F:	>5.1 mm
HAS-810 220:	7.98 mm
HAS-810 220 F:	>8.1 mm

Materials

Plunger:	CuBe (inner conductor) / Brass (outer conductor)
Spring:	CuBe / steel

Operating temperature

Standard:	-40° up to +80° C
------------------	-------------------

Ordering example

	Series	Tip material 2 = Steel 3 = BeCu	Tip style	Tip diameter (1/100 mm)	Plating A = Gold	Spring force (dN)	Collar height (mm)	Special designation
SMA jack (female):	HFS	890	305	123	A	93	43	E
Other contacts:								
U.FL plug (male):	HFS	890	343	078	A	93	43	UFL
FAKRA plug (male):	HFS	890	343	118	A	93	42	F
Switch contact								
MM8030:	HFS	890	313	040	A	93	43	MM8030